

LED Explosion Proof Lights

ATEX/UL844/IECEEx explosion proof certified



FEATURES

1. ATEX Zone1&Zone21, UL844 class I division 2 and IECEx explosion proof.
2. High heat transmit rate die cast housing ADC12 aluminum, patent design.
3. Shock and vibration resistant tempered glass, super clear 95% light transmit rate.
4. Anti-glare. Scientific optical reflector design, making the light more focus, even, comfortable for eyes.
5. Original Bridgelux LED source, high luminous efficacy and long lifespan.
6. MEANWELL HLG series driver, the highest level of MEANWELL driver.
7. Surface treatment-Powder coating, salt resistant and chemical resistant, also prevent dust from accumulating on the surface.
8. 2.0mm aluminum PCB with heat index 2.5, keep LED working under cool temperature.
9. Working temperature: -40° C to 50° C.

Certification:

ATEX, UL, CUL, DLC, UL844, CUL844, PSE, SAA&C-TICK, CQC, CE, ROHS, IECEx

APPLICATIONS

1. Suitable for gas station, petroleum and chemical industries, coal mine, military, airport, warehouse, marine etc.
2. Zone1 , Class I division 2 gaseous environment, and Zone21 dust environment.



Chemical Factory



Offshore Oil Mining



Military Ship



Army Base



Gas Station



Petrol Process Factory



Traning Camp



Navy Port

DETAILS



UL TUV CB EMC CE certified MW HLG series power driver, IP67 protective level, 7 years warranty.



The integration of reflective optical design, install directly in the light body, make the light more focus and comfortable for eyes.



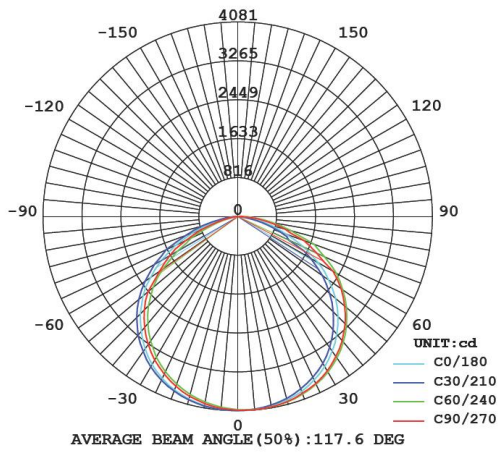
High pressure die casting alloy aluminum housing, create through high pressure(1600 ton) in one piece, high explosion proof level and IP67 waterproof protection.

LED chip with 2.0mm thick Aluminum PCB board installed directly onto Aluminum Shell. As a result, the whole lamp is integrated as a radiator for the LED chips. Besides, the distance of LEDs are good enough for spreading heat, to ensure long lifespan, and with special circuit design, each LED chip won't affect the others when fail to work, so the lamp will keep working even if some LED chips stopped.

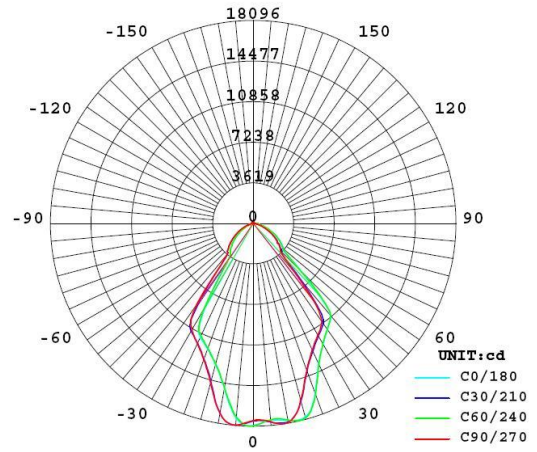
TECHNICAL SPECIFICATION

Item No	Product Specification				Certificates					
	Rated Power	Dimension (mm)	Beam Angle	IP Rating						
CES-J200	185W	400*400*185mm	120°/90°/60°/45°	IP67	ATEX/CE/ROHS UL1598/UL844/UL1598A/DLC premium IECEX/SAA/C-TICK/PSE					
CES-J150	150W	400*400*185mm	120°/90°/60°/45°	IP67						
CES-J120	120W	400*400*185mm	120°/90°/60°/45°	IP67						
CES-J100	100W	300*300*175mm	120°/90°/60°/45°	IP67						
CES-J80	80W	300*300*175mm	120°/90°/60°/45°	IP67						
CES-J60	60W	300*300*175mm	120°/90°/60°/45°	IP67						
CES-J40S	40W	200*200*125mm	120°/90°/60°/45°	IP67						
CES-J30	30W	200*200*125mm	120°/90°/60°/45°	IP67						
CES-J20	20W	200*200*125mm	120°/90°/60°/45°	IP67						
LED Specification						Driver Specification				
Item No.	LED	Lumen	Efficacy Lm/W	CCT	CRI	Input V	Current	PF	THD	Type
CES-J200	Bridgelux	24050lm	130Lm/W	Cool White:5700	>70Ra AC100-277V ~50/60Hz	350mA 350mA 350mA 350mA 350mA 350mA 350mA 350mA	>0.98 >0.98 >0.98 >0.98 >0.98 >0.98 >0.98 >0.98	<10% <10% <10% <10% <10% <10% <10% <10%	MEANWELL driver with IP68 protective Aluminum Housing	
CES-J150	Bridgelux	19500lm	130Lm/W	-6500K						
CES-J120	Bridgelux	15600lm	130Lm/W	Natural White:4000						
CES-J100	Bridgelux	13000lm	130Lm/W	-5000K						
CES-J80	Bridgelux	10400lm	130Lm/W	Warm White:2700 -3500K						
CES-J60	Bridgelux	7800lm	130Lm/W							
CES-J40S	Bridgelux	5200lm	130Lm/W							
CES-J30	Bridgelux	3900lm	130Lm/W							
CES-J20	Bridgelux	2600lm	130Lm/W							

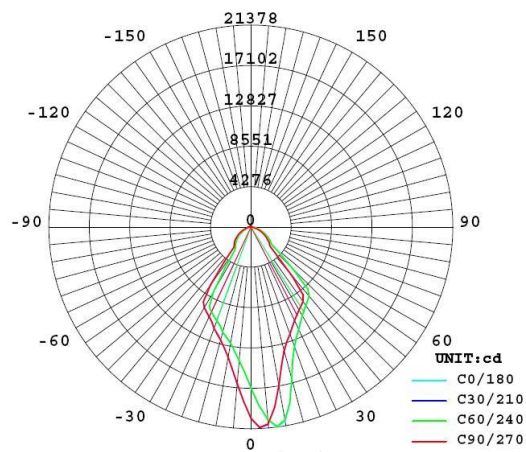
PHOTOMETRIC CURVE



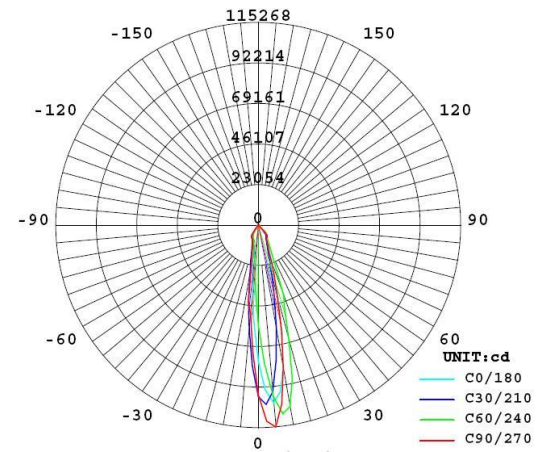
120° beam angle



60° beam angle

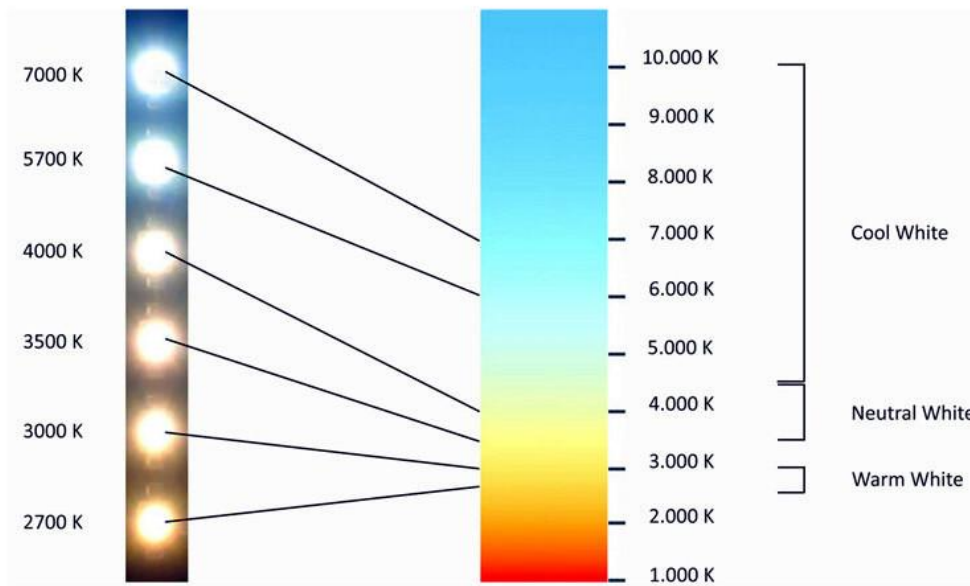


45° beam angle



15° beam angle

COLOR TEMPERATURE

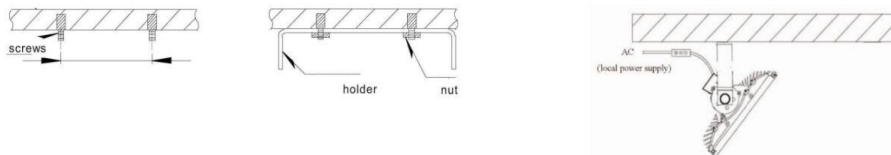


INSTALLATION METHODS

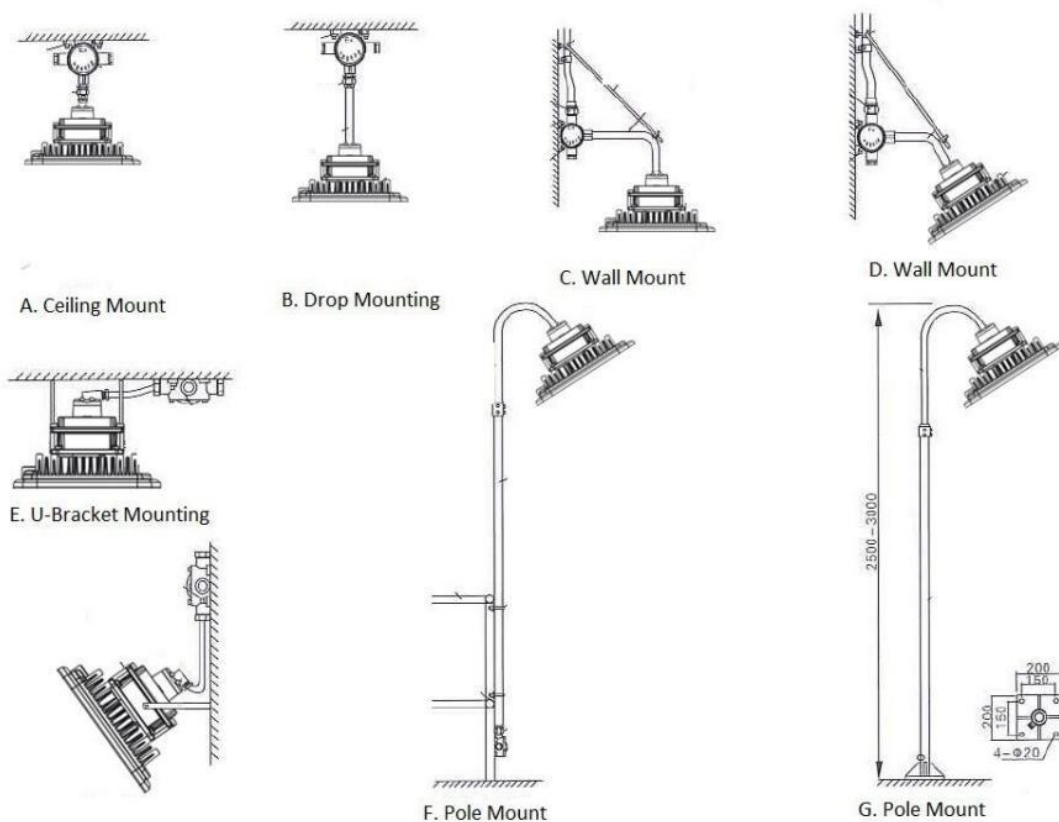
1. Installation with U shaped bracket (Common standard)

CES-J series: Standard Bracket

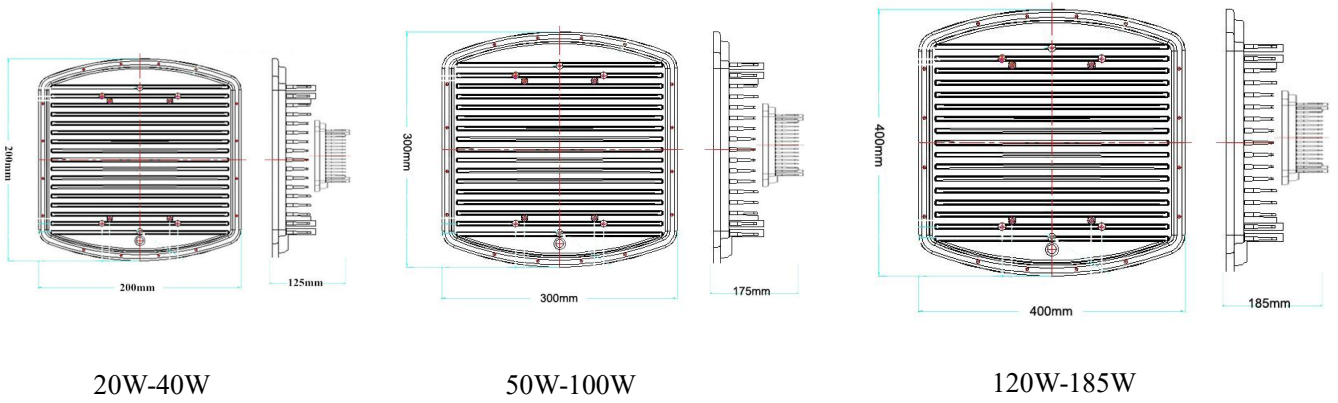
- Fix 2 M10 screws on the wall according to the distance between the holes of the bracket.
- Install the bracket on the screws and then fasten it with the nut.
- Fix the position of the lamp
- Place the lamp cord into the pole; connect the wire to local power supply (AC100-277V).



2. Installation with 3/4' NPT (US standard)



Drawings



Packing Information				
Item No.	Outside Carton	QTY/CTN	N.W.	G.W.
CES-J200	460x460x240mm	1	11.5kgs	12.5kgs
CES-J150	460x460x240mm	1	11.5kgs	12.5kgs
CES-J120	460x460x240mm	1	11.5kgs	12.5kgs
CES-J100	370x370x240mm	1	7.5kgs	8.5kgs
CES-J80	370x370x240mm	1	7.5kgs	8.5kgs
CES-J60	370x370x240mm	1	7.5kgs	8.5kgs
CES-J40S	250*250x230mm	1	3.5kgs	4.1kgs
CES-J30	250*250x230mm	1	3.5kgs	4.1kgs
CES-J30	250*250x230mm	1	3.5kgs	4.1kgs

CAUTION

1. Read the Manual carefully before installing
2. To avoid risk of explosion and electric shock, the product must be installed, inspected and maintained by a professional electrician.
3. Be sure the electricity is off before installing or maintaining the light
4. The input voltage must not exceed the limit of the range AC100-277V
5. Working temperature must not exceed the limit of the range -40° C to 50° C.

If you have any question, please contact:

CESPEX Lighting Co.,Ltd

Office: Room1501, No.28-29 Lianyou building, Fulian 2nd area, Sanlian community, Longhua road, Longhua district, Shenzhen, Guangdong, China. (518109)

Headquarter: Room6001-6009, 6th Floor Wangcheng Building, Longguan East Road, Longhua District, Shenzhen city 518109, China. (518109)

Factory: No.273, Tangxia Road, Fenghuang Hillock, Tangxia Town, Dongguan City, Guangdong Province, China.

E: sales@cesp-industrial.com

Skype: CESP-5

Web: www.cesp-industrial.com