



Explosion Proof LED Hand Light for Hazardous Area

The CESP CES-SC Hazardous Area LED Hand light is UL approved Class 1 Division 1 Groups A, B, C and D - UL844 listed and is ideal for close quarter work and inspection activities in moisture, dirt, corrosion and vibration hazardous locations requiring explosion proof protection.

Certification standards

UL844 – Class I Division 1 Group A, B, C, D
IEC/ATEX Standard
Ex d IIB T6 Gb/Ex tb IIIC T85°C Db
Zone 1, Zone 21 Zone 2, Zone 22

Description

- Best-in-class system efficacy - Up to 3000lm, Instant on/off operation
- Universal Voltage: AC120-277V(50/60Hz) or DC12-24V(Emergency Mode Run time:3hours)
- Wide ambient temp. range from - 40°C to + 50 °C (-40°F ~ + 122°F)
- Safe and reliable heat transfer - Offering a T-rating of T3C (CID2) / T4A (CIID1)
- Rugged fabricated steel and cast aluminum construction.
- Shock-and vibration-resistant - Durable LED with solderless board connection
- Rugged fabricated steel and cast aluminum construction and Copper-free aluminum body ,corrosion resistant,tempered glass lens prevent shattering
- All exposed fasteners with quality stainless steel
- Thermal shock and impact resistant tempered glass lens
- Slim and compact design,Swivel hook for hanging and hands free operation
- Explosion proof cord

Application

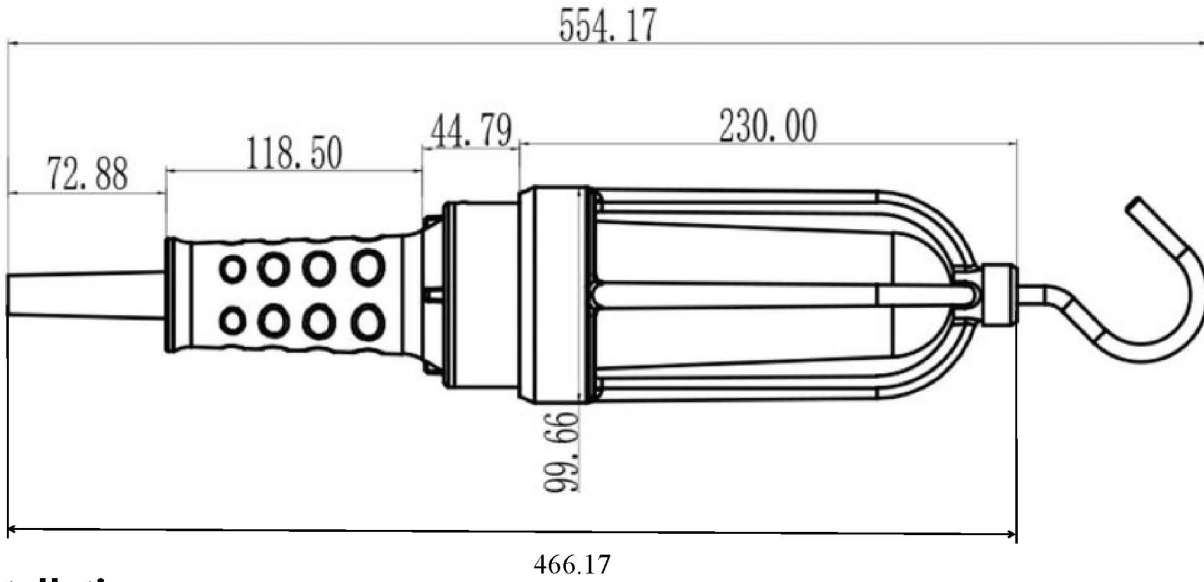
- Oil refinery tank/Loading Docks / Platforms / Shipyards
- Chemical Processing Facility
- Petrochemical Processing Facility

Technology Parameters

Items	CES-SC (H)
Rated Power	30W
Input Voltage	AC120-277V(50/60Hz) or DC12-24V(Emergency Mode Run time:3hours)
Input Frequency	50/60Hz
Power Factor	≥0.95
Input Frequency	≥90%
Surge Protection	1.5kv
Lumen Output	3000lm
Lumens Per Watt	100lm/w
Beam Angle	180°
Correlated Color Temperature (CCT)	5000K
Color Rendering Index (CRI)	>73 Ra
Ambient Operating Humidity	5%~95% RH
Ambient Operating Temperature	-40°C ~+50°C/ -40°F~+122°F
Optimal Operating Temperature	25°C (77°F)
T-Code	CID1: T6 CID2, CIID2: T4A
Housing Material	Die-cast aluminum protective housing, ABS+PC handle
Lens Material	10mm
Mounting Optional	Portable or hanging tandem installation
IP Rate	IP66
IK Rate	IK10
Dimension and N.W.	Dia-100*554mm,2.5KG
Packing and G.W.	650*170*150mm,3.1KG

Dimension & Installation

Dimension



Installation



Portable



Hanging tandem installation