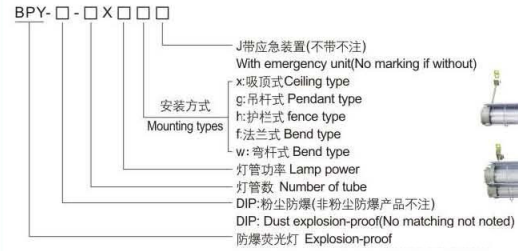


B

BPY-Explosion-proof LED tube fixture

◆ 型号含义 Model implication



◆ 适用范围 Applications

- 适用于爆炸性气体环境1区、2区;
- 适用于IIA、IIB、IIC级爆炸性气体环境;
- 适用于可燃性粉尘环境20区、21区、22区;
- 适用于温度组别为T1~T6的环境;
- 装配T8双脚荧光灯管或T5双脚荧光灯管;
- 适用于石油采炼、存储、化工、医药、军工及军事设施等爆炸性危险环境;
- Pieces suitable for explosive gas environment 1 zone and 2 zone,
- Pieces suitable for IIA, IIB, IIC explosive gas environment,
- This product in Hazardous:zone20, zone21, zone22,
- Should apply to the temperature group for T1~T6 environment;
- T8 Bi-pin tube as lighting sources, and T5 Bi-pin tube as lighting sources
- Designed for petroleum exploitation, refinery, storage, chemistry, medicine, military and military facilities etc. sites with potential explosive atmosphere.

◆ 技术参数 Technical parameters

- 符合标准:GB3836.1、GB3836.2、GB12476.1、IEC60079-0、IEC60079-1、IEC61241-1、EN60079-0、EN60079-1、EN61241-1
- 防爆标志:Exd II BT6 Gb、Exd II CT6 Gb、DIP A21 TA、T6
- 额定电压:AC220V
- 装配光源:见选项表
- 防护等级:IP54、IP65、IP66*
- 防腐等级:WF1
- 引入口规格:G $\frac{1}{2}$ "
- 适用电缆外径: ϕ 6mm - ϕ 10mm
- 电池充电时间:< 24h
- 应急启动时间:< 0.3s
- 应急照明时间:> 90min
- ※要求IP66, 需注明。
- Meet a criterion:GB3836.1, GB3836.2, GB12476.1, IEC60079-0, IEC60079-1, IEC61241-1, EN60079-0, EN60079-1, EN61241-1
- Explosion-proof mark:Exd II BT6 Gb, Exd II CT6 Gb, DIP A21 TA, T6
- Rated voltage:AC220V
- Lamp options:Selection Table
- protection grade:IP54, IP65, IP66*
- Explosion-proof grade:WF1
- Inlet thread:G $\frac{1}{2}$ "
- Cable outer dia.: ϕ 6mm - ϕ 10mm
- Battery charging time: < 24h
- Emergency start time: < 0.3s
- Emergency lighting duration: > 90min
- IP66 Requirements must be marked

◆ 选项表 Selection Table

型号 Model	光源 Tube	功率 Power(W)	光通量 Luminous Flux(lm)	灯座规格 Lampholder	型号 Model	光源 Tube	功率 Power(W)	光通量 Luminous Flux(lm)	灯座规格 Lampholder
BPY-1 × 14	T5 电子式	14	1000	G5	BPY-1 × 18	T8 电子式	18	3660	G13
BPY-1 × 28		28	2000		BPY-2 × 18		36	2500	
BPY-2 × 14		28	1830		BPY-1 × 36		36	5000	
BPY-2 × 28		56	3000		BPY-2 × 36		72	8000	
BPY-1 × 9	T5 LED	9		G5	BPY-1 × 9	T8 LED	9	900	G13
BPY-1 × 18		18			BPY-2 × 9		18	1800	
BPY-2 × 9		18			BPY-1 × 18		18	1800	
BPY-2 × 18		36			BPY-2 × 18		36	3600	

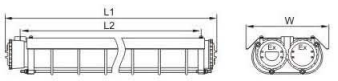
◆ 产品特点 Features

- ◇ 外壳采用铝合金压铸成型，经抛丸处理后高压静电喷塑；
 - ◇ 高强度钢化玻璃透明管；
 - ◇ 外露紧固件采用高防腐性能不锈钢材质；
 - ◇ 灯具设有格栅，合理调节灯具光效，有效减少眩光；
 - ◇ 模块化插装式设计，只须松开端盖，抽出芯体即可更换灯管；
 - ◇ 带应急装置的荧光灯在供电线路开关失电时，自动切换到应急照明状态；
 - ◇ 应急装置内有特别设计的过充、过放保护电路；
 - ◇ 采用螺纹连接配合方式，便于安装维护；
 - ◇ 功率因数可达0.95以上；
 - ◇ 钢管或电缆布线。
- ◇ Enclosure is die casted of aluminium alloy, high voltage electrostatic powder coated after shot blasted.
 - ◇ High strength toughened glass cover.
 - ◇ Exposed fasteners are of stainless steel.
 - ◇ Lighting fitting with grids to adjust lighting effect and reduce the glare.
 - ◇ Modular plug structure design, only need disconnect end cover draw out core to change tubes.
 - ◇ For fittings with emergency unit, it will automatically shaft to emergency lighting when power circuit failed.
 - ◇ Special over charging and over discharging protection circuit inside the emergency unit.
 - ◇ Screw connection type, for easy installation and maintenance.
 - ◇ Power factor can be over 0.95.
 - ◇ Steel conduit or cable wirings.

◆ 订货须知

- ◇ 灯具出厂时已配置光源，用户接入电源即可使用。
 - ◇ 双管荧光灯应急照明时，仅一根灯管点亮。
 - ◇ 防护等级要求IP65时请注明。
- 例：若需订购吊杆式安装的BPY防爆荧光灯，配用光源为2根36W荧光灯管、带应急装置，则订货型号为“BPY-2 × 36gJ”
- ◇ lamps and lanterns has factory configuration light source, the user access power can use;
 - ◇ Take emergency unit, installation only ceiling type and boom type applicable;
 - ◇ Ingress protection IP65 is available as per request;
- Example: if you need to order the derrick installation BPY explosion fluorescent lamp, with light source for 2 root and 36W fluorescent lamp Tube, take emergency unit, the order type “BPY-2 × 36gJ”.

◆ 外形尺寸及配光曲线 Structure Dimensions and Photometry

灯具类型 Lamp type	BPY				
外形尺寸 Dimensions		型号 Model	L1	L2	W
		BPY-1 × 14(9)	692	615	150
		BPY-1 × 28(18)	1255	1175	150
		BPY-2 × 14(9)	692	615	205
		BPY-2 × 28(18)	1255	1175	205
		BPY-1 × 18	702	625	150
		BPY-1 × 36	1310	1235	150
		BPY-2 × 18	702	625	205
		BPY-2 × 36	1310	1235	205
配光曲线 Photometric curve cd/1000lm	