

SOX LED BULB

Low pressure sodium bulb replacement



FEATURES:

- 1.High Efficacy low decay 700MA Bridgelux LED chip.
- 2.Patent design with die cast ADC12 aluminum heat sink, high heat transmission rate and long life span.
- 3.Rotatable base with E40/E39/E27/E26/BY22D sockets.
- 4.Anti-glare 120 degree scientific optical design, making the light more even, comfortable for eyes and efficient light distribution on the ground.
- 5.Rubicon capacitance, high luminous efficacy and long lifespan.
- 6.Can directly replace SOX/LPS bulb, 70% more energy saving.
- 7.Over 35000hrs life span, easy installation and maintenance free.
- 8.2.0mm aluminum PCB with heat index 2.5, excellent cooling performance.
- 9.Working temperature: -40° C to 50° C.

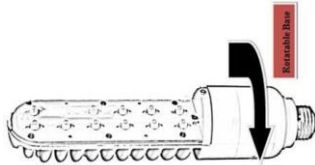
APPLICATIONS:

1. Suitable for narrow street lighting, garden lighting, walkway lighting, area security wall mount lighting, SOX/LPS bulb replacement etc.

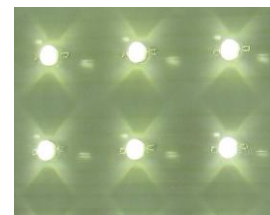
**Garden lighting****Park lighting****Street lighting****Walkway lighting**

DETAILS

Rotatable base with 30 degree changeable beam angle, can adjust the lighting effect base on application.



ADC12 die cast aluminum heat sink with 2.0mm aluminum PCB board, excellent cooling performance to ensure long life span for LED chips



B22/E27/E39/E40 base available, constant start without ballast, easy replacement for various traditional lamp.

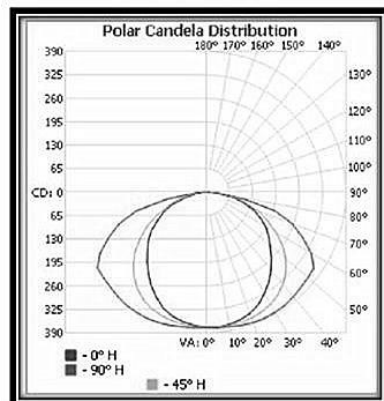
High efficacy Bridgelux 45mil/Genesis 3535 SMD LED chips with 120 degree beam angle, making the light more even, comfortable for eyes and efficient light distribution on the ground.

SPECIFICATION

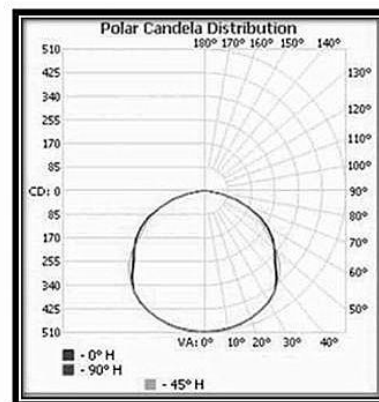
Item No.	Wattage	Lumen	Efficacy	CCT	CRI	Input Voltage	Rated Life	PF	THD	Warranty
			LM/W							
B22-12W	12W	1380lm	115	Cool White:5700 -6500K	>70Ra	AC100-277V 50/60Hz	50000H	>0.98	<10%	3 years
B22-16W	16W	1840lm	115		>70Ra	AC100-277V 50/60Hz	50000H	>0.98	<10%	
B22-20W	20W	2300lm	115	Natural White:3700 -4500K	>70Ra	AC100-277V 50/60Hz	50000H	>0.98	<10%	
B22-24W	24W	2760lm	115		>70Ra	AC100-277V 50/60Hz	50000H	>0.98	<10%	
B22-28W	28W	3220lm	115	Warm White:2700 -3500K	>70Ra	AC100-277V 50/60Hz	50000H	>0.98	<10%	
B22-32W (NEW)	32W	3680lm	115		>70Ra	AC100-277V 50/60Hz	50000H	>0.98	<10%	
B22-35W (NEW)	35W	4025lm	115		>70Ra	AC100-277V 50/60Hz	50000H	>0.98	<10%	

Photometric design

– Come with two type of light distribution:-

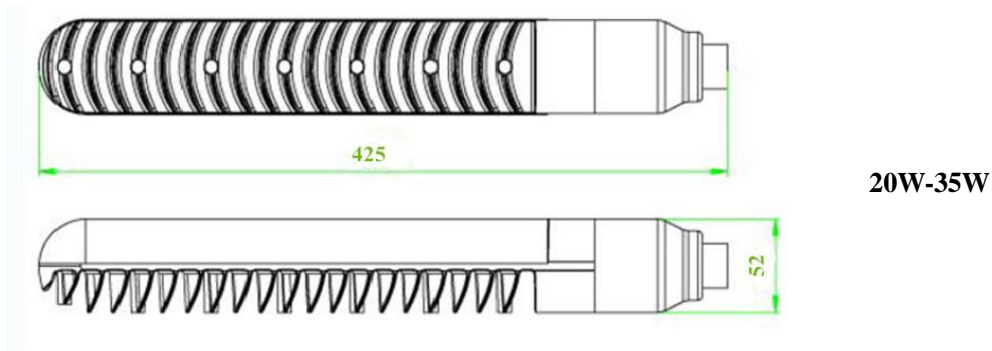
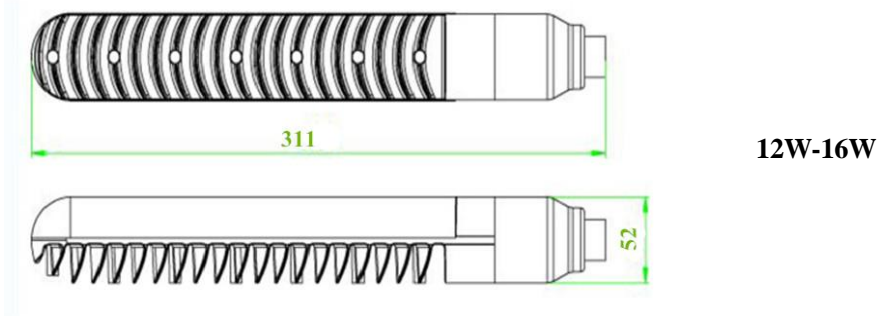


Type II : suitable for sub-road/
pedestrian walk area.



Type V : suitable for garden, park,
non-standard area lighting.

DIMMENSION(Unit:mm):



Packing Information				
Item No.	Outside Carton	QTY/CTN	N.W.	G.W.
B22-12W	60x60x320mm	1	0.5kgs	0.55kgs
B22-16W	60x60x320mm	1	0.5kgs	0.55kgs
B22-20W	60x60x435mm	1	0.7kgs	0.75kgs
B22-24W	60x60x435mm	1	0.7kgs	0.75kgs
B22-28W	60x60x435mm	1	0.7kgs	0.75kgs
B22-32W	60x60x435mm	1	0.7kgs	0.75kgs
B22-35W	60x60x435mm	1	0.7kgs	0.75kgs

APPLICATIONS

1. BY22D/E27/E39/E40 socket (Optional)



2. Wall Mount plate (IP65 water proof)



3. Pole mount pipe (IP65 water proof)



CAUTION

1. Read the Manual carefully before installing
2. To avoid risk of explosion and electric shock, the product must be installed, inspected and maintained by a professional electrician.
3. Be sure the electricity is off before installing or maintaining the light
4. The input voltage must not exceed the limit of the range AC100-277V
5. Working temperature must not exceed the limit of the range -40° C to 50° C.

If you have any questions, please contact:

CESPEX Lighting Co.,Ltd

Office: No.5, Fulian new village, Longhua road, Longhua district (518109), Shenzhen, Guangdong, China.

Factory: No.273, Tangxia Road, Fenghuang Hillock, Tangxia Town, Dongguan City, Guangdong Province, China.

E: sales@cesp-industrial.com

T: 0086 13267157712

Skype: CESP-5

Web: www.cesp-industrial.com